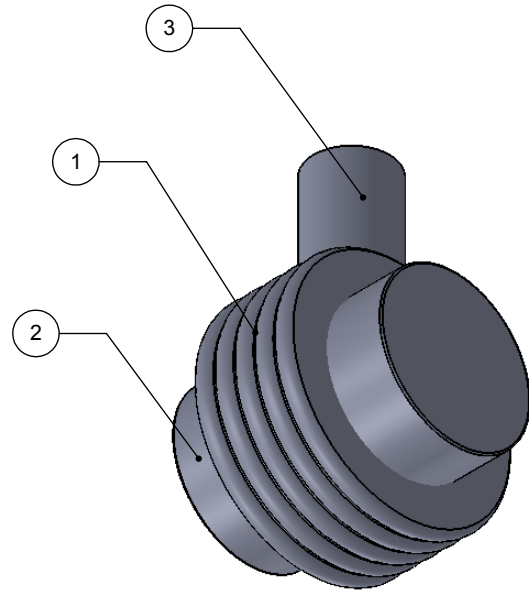
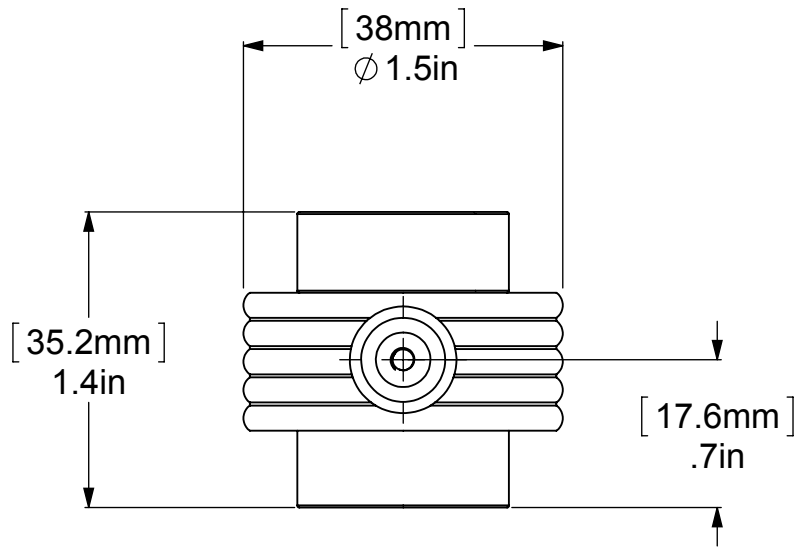
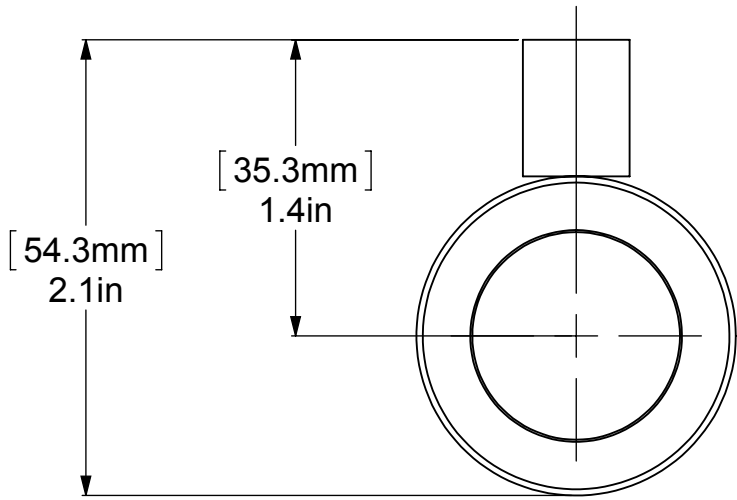


ITEM NO.	PART NUMBER	DESCRIPTION	QTY.
1	RGGVT	HUB	1
2	Card-1	END LOCK	2
3	PSRD8-12	BASE TUBE	1



APPROVED FOR PRODUCTION
 By: RICHARD PAUL
 Date: 6-2-2021

UNLESS OTHERWISE STATED	
.X	±.3mm
.XX	±.15mm
.XXX	±.008mm

COPYRIGHT © Allied Brass 2021



DRAWN	5-29-21	I.M
CHECKED	5-29-21	P.D
APPROVED	5-29-21	R.A

MATERIAL:	BRASS		FINISH	TBD
DESCRIPTION:	1-1/2 Inch Cabinet Knob		QUANTITY	TBD
			DRAWING No.	
			102G	
SCALE		1:0.9	SHEET: 01	A4